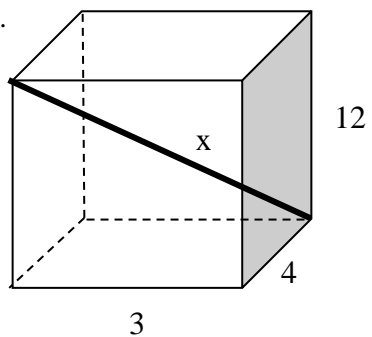
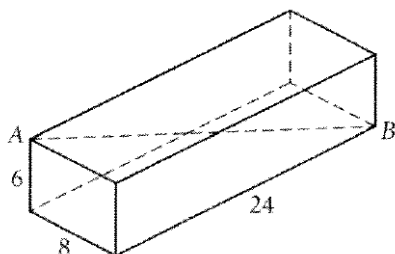


### 3D Diagonal Practice

1. Given the following rectangular prism, find the length of  $x$ .

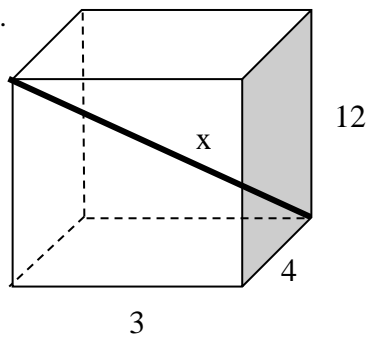


2. Solve for the measure of  $AB$ .

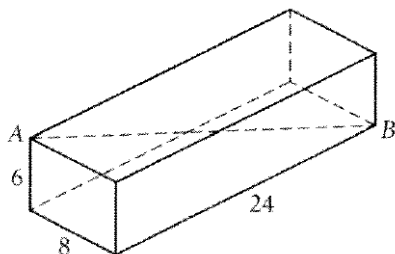


### 3D Diagonal Practice

1. Given the following rectangular prism, find the length of  $x$ .



2. Solve for the measure of  $AB$ .



3. Aiden's sister is away at college and he wants to mail her a 34 in baseball bat. The packing service sells only one kind of box, which measures 24 in by 2in by 18 in. Will the box be big enough?

4. You are landscaping the flower beds in your front yard. You choose to plant a tree that measures 5 feet from the root ball to the top. The interior of your car is 60 inches in length, 45 inches in width, and 40 inches in height. Will the tree fit inside your car?

3. Aiden's sister is away at college and he wants to mail her a 34 in baseball bat. The packing service sells only one kind of box, which measures 24 in by 2in by 18 in. Will the box be big enough?

4. You are landscaping the flower beds in your front yard. You choose to plant a tree that measures 5 feet from the root ball to the top. The interior of your car is 60 inches in length, 45 inches in width, and 40 inches in height. Will the tree fit inside your car?