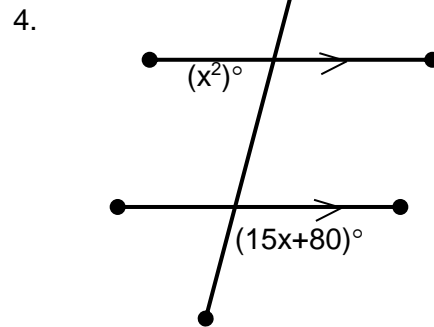
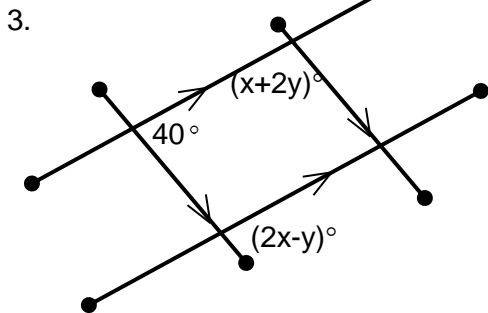
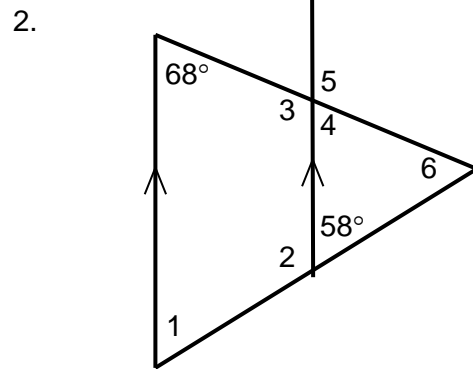
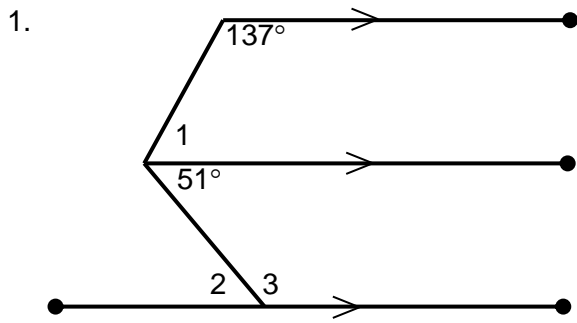
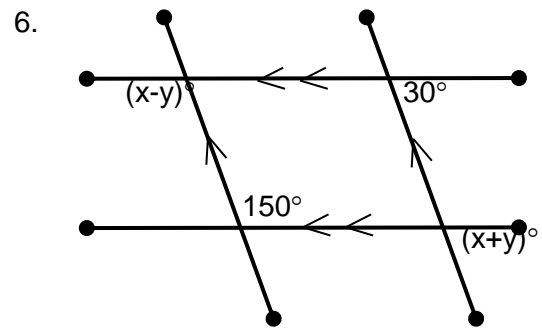
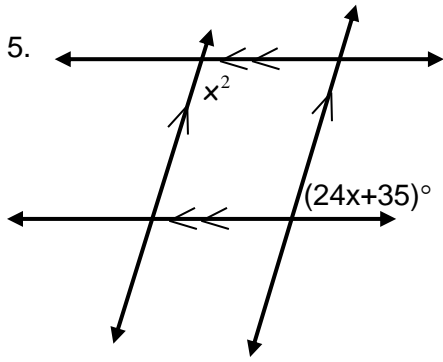


PAP Geometry
2.4 In class Practice

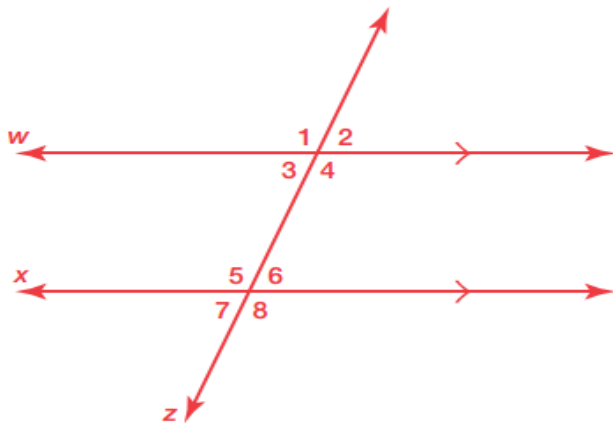
Name _____

Directions: Find the value of the numbered angles or find the values of the variables using the parallel lines.





2.4 Proof Practice



Given: $w \parallel x$, z is a transversal

Prove: $\angle 1 \cong \angle 8$

Statements	Reasons
1. $w \parallel x$	1.
2.	2.
3. $\angle 5 \cong \angle 8$	3.
4. $\angle 1 \cong \angle 8$	4.