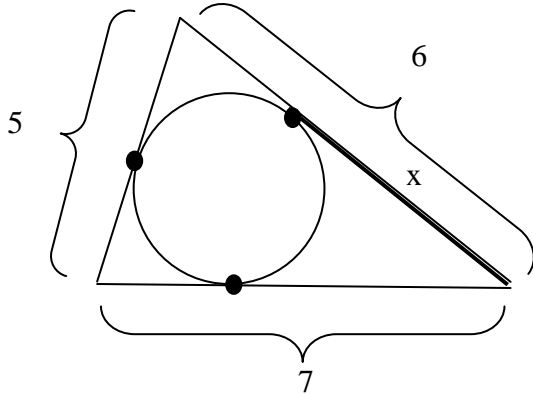
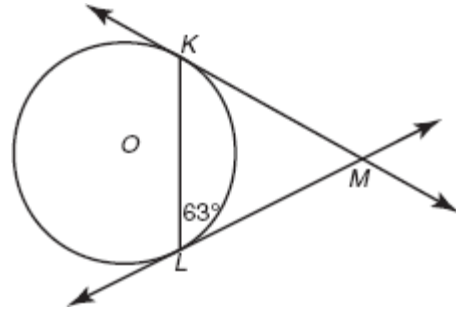


MUST SHOW ALL WORK FOR FULL CREDIT

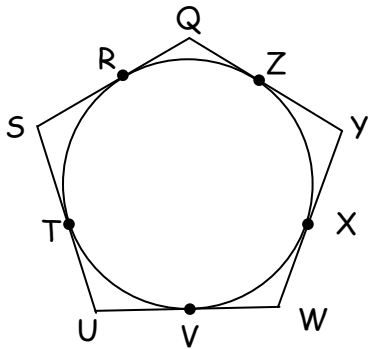
1. $x =$ _____



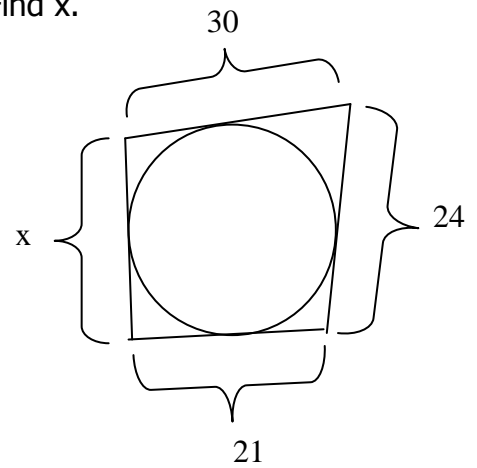
2. If \overline{KM} and \overline{LM} are tangent segments, what is the measure of $\angle KML$?



3. The circle is circumscribed by the pentagon as shown. If $QR = 9$, $QY = 14$, $UW = 10$, $QS = 16$, $UV = VW$. Find the perimeter of the pentagon.

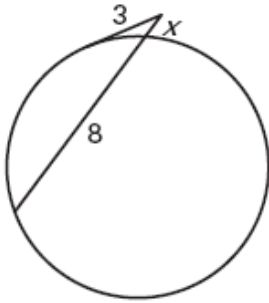


4. Find x .

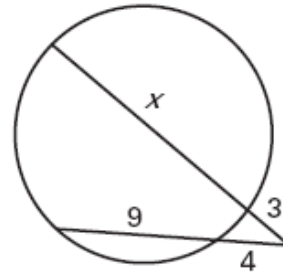


Find x in each picture.

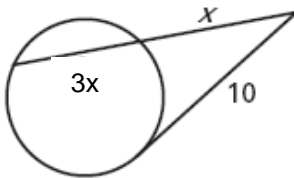
1.



2.



3.



4.

